

# GPS Signal Splitters



Raven offers two GPS signal splitters. The BT-0 splits the GPS and radiobeacon signal from Starlink combined DGPS antennas. The BT-2GPS allows a GPS antenna signal to supply two GPS receivers.

A bias tee may be used with a combined GPS/Beacon antenna (MBA-2 & MBA-4). The antenna cable is connected to the bias tee (BT-0) which splits the signals and provides two signal outputs. One output connects to a beacon receiver and the other connects to a GPS receiver. All connections on the bias tee are TNC.

The BT-2GPS splitter takes a single antenna input and splits it between two separate ports.

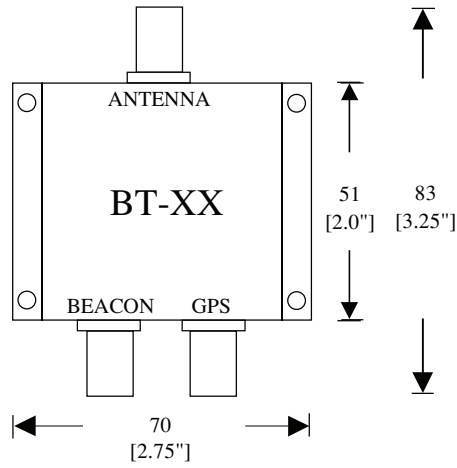
Voltage is applied through the primary port to the GPS antenna. The secondary port provides a signal for a second GPS receiver. All connections on the GPS splitter are TNC. A unique feature to this product is its capacity to pass low frequency beacon signal out both ports.

No matter what your operating environment, marine, aviation, or land, Raven's rugged components are built to last. Customer satisfaction is ensured with our full year warranty.

**RAVEN**

 **PRECISION**  
*Solutions*

500 Center Ridge Drive  
Suite 600  
Austin, TX 78753  
Telephone: +1 512 670 7374  
Toll Free: 1 (800) 460-2167  
[www.ravengps.com](http://www.ravengps.com)



### BT-0 BIAS TEE SPECIFICATIONS

- Weight: 116 g (4.1 oz)
- Dimensions: 70 mm W x 83 mm H  
(2.75" W x 3.25" H)
- Connection: TNC
- Environmental: Gasketed waterproof
- Operating Temperature: -50° to +100°C
- GPS Signal Loss: 4 dB
- Beacon Signal Loss: < 1 dB

### BT-2GPS GPS SPLITTER SPECIFICATIONS

- Weight: 116 g (4.1 oz)
- Dimensions: 70 mm W x 83 mm H  
(2.75" W x 3.25" H)
- Connection: TNC
- Environmental: Gasketed waterproof
- Operating Temperature: -50° to +100° C
- GPS Signal Loss: 4 dB
- Isolation: > 20 dB



500 Center Ridge Drive  
Suite 600  
Austin, TX 78753  
Telephone: +1 512 670 7374  
Toll Free: 1 (800) 460-2167 (within U.S.)  
www.ravengps.com