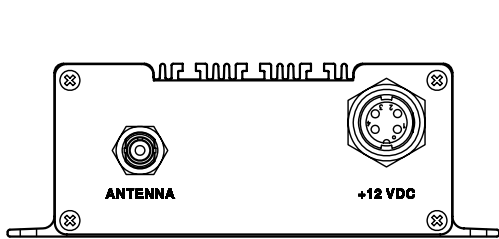
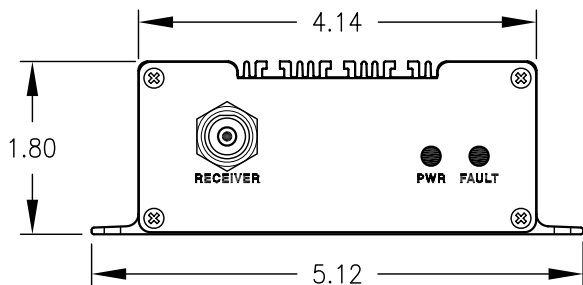


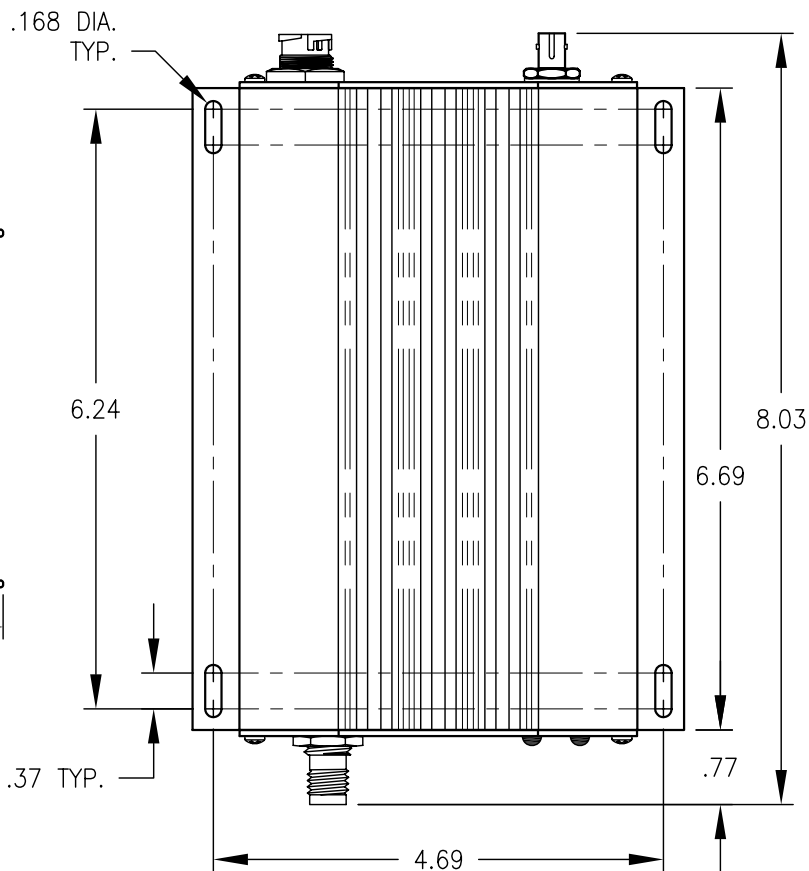
REVISIONS			
LTR.	DESCRIPTION	DATE	APPR.



BACK



FRONT



SPECIFICATIONS:

ENCLOSURE: EXTRUDED ALUMINUM
 COLOR: BLACK (POWDER COATED)
 WEIGHT: <1.2 POUNDS
 TEMPERATURE; STORAGE: -50° C TO +85° C
 TEMPERATURE; OPERATING: 0° C TO +50° C
 RELATIVE HUMIDITY: 0-100% NON-CONDENSING
 ALTITUDE: 20,000 FEET

INPUTS:
 ST TYPE FIBER OPTIC CONNECTOR FOR DOWN CONVERTED GPS L1 SIGNAL
 SIMPLEX MULTIMODE 62.5/125 MICRON
 4 PIN CON-X-ALL POWER, BOX 4182-4PG 12VDC ±10% @ 150mA TYPICAL

OUTPUTS:
 TNC TO GPS RECEIVER

THIS UNIT TO BE USED IN CONJUNCTION WITH GPS L1 DOWN CONVERTER

NOTES: NOMINAL 20 mA PULLED FROM GPS RECEIVER. WHEN FAULT OCCURS, AN ADDITIONAL 40 mA IS PULLED TO INDICATE FAULT TO THE RECEIVER.

UNLESS OTHERWISE SPECIFIED DIMENSIONS ARE IN INCHES ONE PLACE DECIMALS ±.06 TWO PLACE DECIMALS ±.03 THREE PLACE DECIMALS ±.010 FRACTIONS ± 1/16 ANGLES ± 0°-30' BREAK EDGES .005-.015	DRAWN	HGT	11/7/05	<h1>RAVEN</h1>	INDUSTRIES, INC. SIOUX FALLS, SOUTH DAKOTA		
	CHECKED						
	PROJ. ENG.	GP	12/9/05				
	MATERIAL	NOTICE: THIS DRAWING AND THE INFORMATION PROVIDED ARE PROPERTY OF RAVEN INDUSTRIES INC., AND MAY ONLY BE USED AS AUTHORIZED BY RAVEN INDUSTRIES INC. ALL RIGHTS RESERVED UNDER THE COPYRIGHT LAWS.			TITLE PRODUCT SPECIFICATION UP CONVERTER, GPS L1, FIBER OPTIC (ASST-002-0006)		
FINISH	RELEASE FOR PRODUCTION			CODE IDENT. NO.	SIZE	DRAWING NUMBER	
DO NOT SCALE DRAWING	NUMBER	APPROVED	DATE	14979	A	003-0159-174	
	E9707	GP	12/9/05	SCALE	N/A	SHEET 1 OF 1	