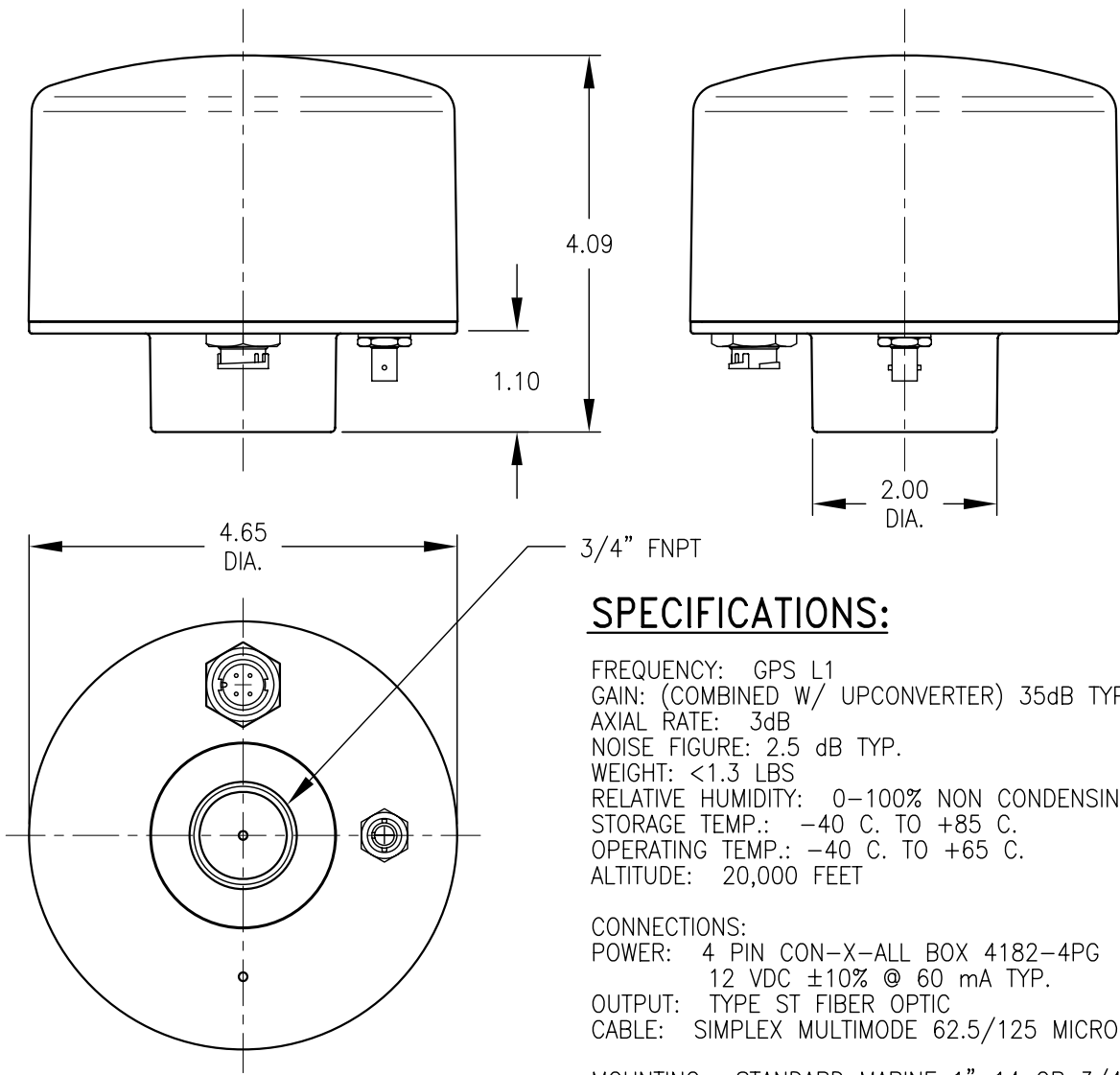


REVISIONS			
LTR.	DESCRIPTION	DATE	APPR.



SPECIFICATIONS:

FREQUENCY: GPS L1
 GAIN: (COMBINED W/ UPCONVERTER) 35dB TYP.
 AXIAL RATE: 3dB
 NOISE FIGURE: 2.5 dB TYP.
 WEIGHT: <1.3 LBS
 RELATIVE HUMIDITY: 0-100% NON CONDENSING, WATERPROOF
 STORAGE TEMP.: -40 C. TO +85 C.
 OPERATING TEMP.: -40 C. TO +65 C.
 ALTITUDE: 20,000 FEET

CONNECTIONS:
 POWER: 4 PIN CON-X-ALL BOX 4182-4PG
 12 VDC ±10% @ 60 mA TYP.
 OUTPUT: TYPE ST FIBER OPTIC
 CABLE: SIMPLEX MULTIMODE 62.5/125 MICRONS

MOUNTING: STANDARD MARINE 1"-14 OR 3/4" NPT
 ENCLOSURE: MOLDED WHITE PVC

UNLESS OTHERWISE SPECIFIED
 DIMENSIONS ARE IN INCHES
 ONE PLACE DECIMALS ±.06
 TWO PLACE DECIMALS ±.03
 THREE PLACE DECIMALS ±.010
 FRACTIONS ± 1/16
 ANGLES ± 0°-30'
 BREAK EDGES .005-.015

MATERIAL

FINISH

DO NOT SCALE DRAWING

DRAWN	HGT	11/29/05
CHECKED		
PROJ. ENG.	GP	12/9/05
<p>NOTICE: THIS DRAWING AND THE INFORMATION PROVIDED ARE PROPERTY OF RAVEN INDUSTRIES INC., AND MAY ONLY BE USED AS AUTHORIZED BY RAVEN INDUSTRIES INC. ALL RIGHTS RESERVED UNDER THE COPYRIGHT LAWS.</p>		
RELEASE FOR PRODUCTION		
NUMBER	APPROVED	DATE
E9707	GP	12/9/05

<h1>RAVEN</h1>		INDUSTRIES, INC.	
		SIOUX FALLS, SOUTH DAKOTA	
<p>TITLE</p> <p>PRODUCT SPECIFICATION GPS L1 DOWN CONVERTER FIBER OPTIC (ASST-002-0005)</p>			
CODE IDENT. NO.	SIZE	DRAWING NUMBER	
14979	A	003-0159-175	
SCALE	1/2	SHEET	1 OF 1