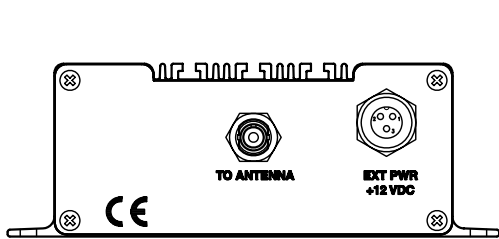
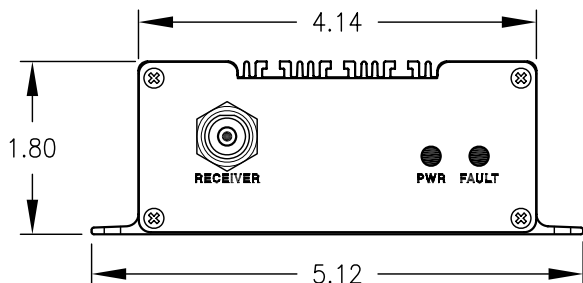


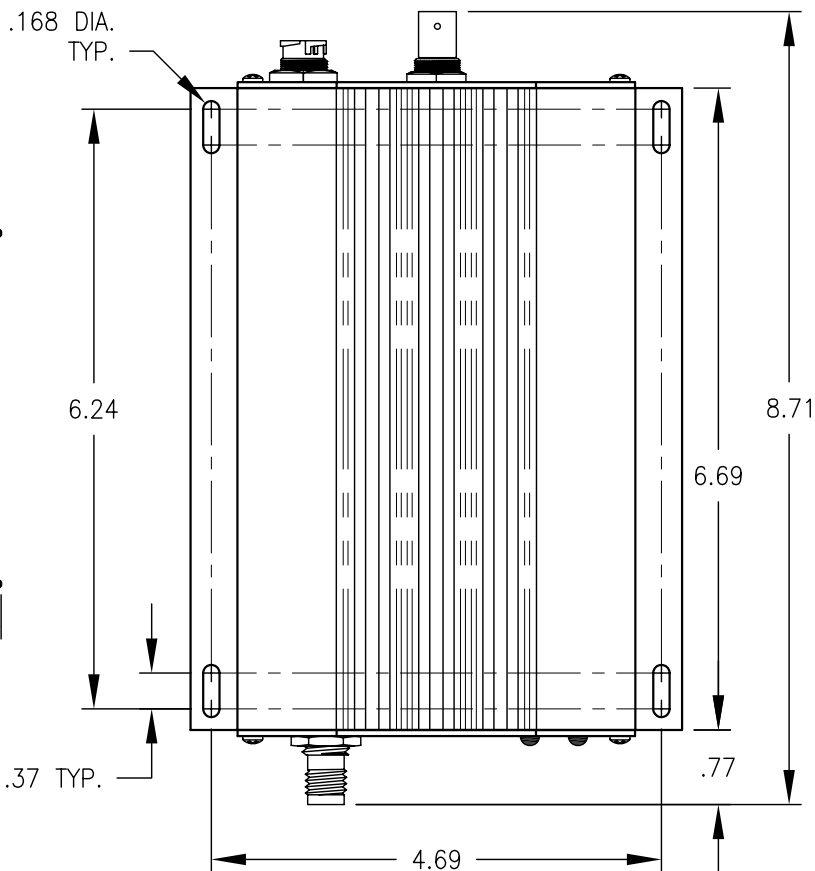
REVISIONS			
LTR.	DESCRIPTION	DATE	APPR.
-1	REVISED PER ECO E11306	11/7/06	GP



BACK



FRONT



SPECIFICATIONS:

ENCLOSURE: EXTRUDED ALUMINUM
 COLOR: BLACK (POWDER COATED)
 WEIGHT: <1.2 POUNDS
 TEMPERATURE; STORAGE: -50° C TO +85° C
 TEMPERATURE; OPERATING: 0° C TO +50° C
 RELATIVE HUMIDITY: 0-100% NON-CONDENSING
 ALTITUDE: 20,000 FEET

INPUTS:

BNC FEMALE FOR DOWN CONVERTED GPS L1 SIGNAL AND DC POWER TO DOWN CONVERTER.

3 PIN CON-X-ALL POWER, BOX 17280-3PG-300 12VDC ±10% @ 150mA TYPICAL (EXTERNAL POWER) OR +12V @ 150mA TYPICAL VIA RECEIVER COAX.

OUTPUTS:

TNC FEMALE TO GPS RECEIVER

THIS UNIT TO BE USED IN CONJUNCTION WITH GPS L1 DOWN CONVERTER

NOTE: WHEN FAULT OCCURS, AN ADDITIONAL 40 mA IS PULLED TO INDICATE FAULT TO THE RECEIVER.



CON-X-ALL	
PIN	SIGNAL
1	GND
2	+12 VDC REGULATED
3	+12 VDC (REDUNDANT, OPTIONAL)

UNLESS OTHERWISE SPECIFIED DIMENSIONS ARE IN INCHES ONE PLACE DECIMALS ±.06 TWO PLACE DECIMALS ±.03 THREE PLACE DECIMALS ±.010 FRACTIONS ± 1/16 ANGLES ± 0°-30° BREAK EDGES .005-.015	DRAWN	GRG	4/27/06		INDUSTRIES, INC. SIOUX FALLS, SOUTH DAKOTA		
	CHECKED						
	MATERIAL	PROJ. ENG.	LDE	10/2/06	TITLE PRODUCT SPECIFICATION UP CONVERTER, GPS L1, (063-0172-790)		
	FINISH	NOTICE: THIS DRAWING AND THE INFORMATION PROVIDED ARE PROPERTY OF RAVEN INDUSTRIES INC., AND MAY ONLY BE USED AS AUTHORIZED BY RAVEN INDUSTRIES INC. ALL RIGHTS RESERVED UNDER THE COPYRIGHT LAWS. RELEASE FOR PRODUCTION					
DO NOT SCALE DRAWING	NUMBER	APPROVED	DATE	CODE IDENT. NO.	SIZE	DRAWING NUMBER	
	E10287	LDE	10/2/06	14979	A	003-0159-190	
				SCALE	N/A	SHEET	1 OF 1