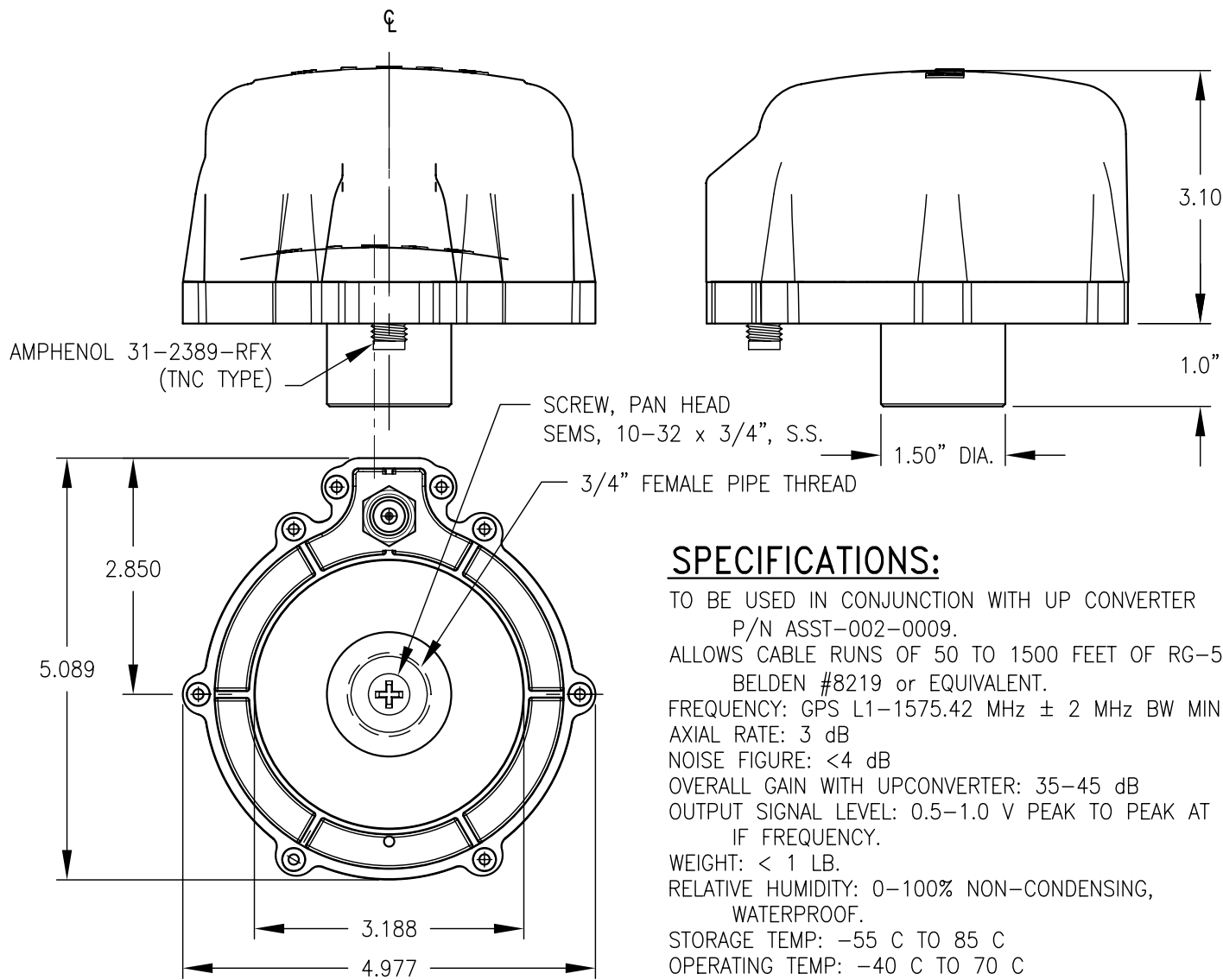


REVISIONS			
LTR.	DESCRIPTION	DATE	APPR.



SPECIFICATIONS:

TO BE USED IN CONJUNCTION WITH UP CONVERTER
P/N ASST-002-0009.
ALLOWS CABLE RUNS OF 50 TO 1500 FEET OF RG-58,
BELDEN #8219 or EQUIVALENT.
FREQUENCY: GPS L1-1575.42 MHz ± 2 MHz BW MIN.
AXIAL RATE: 3 dB
NOISE FIGURE: <4 dB
OVERALL GAIN WITH UPCONVERTER: 35-45 dB
OUTPUT SIGNAL LEVEL: 0.5-1.0 V PEAK TO PEAK AT
IF FREQUENCY.
WEIGHT: < 1 LB.
RELATIVE HUMIDITY: 0-100% NON-CONDENSING,
WATERPROOF.
STORAGE TEMP: -55 C TO 85 C
OPERATING TEMP: -40 C TO 70 C
ALTITUDE: 20,000 FEET
CONNECTOR: TNC FEMALE
MOUNTING: 3/4" NPT FEMALE (1-14 UNS-2B AVAILABLE)
ENCLOSURE: ABS PLASTIC W/ UV STABILIZER
U.S. PATENT NO. 5,999,795

UNLESS OTHERWISE SPECIFIED DIMENSIONS ARE IN INCHES ONE PLACE DECIMALS ±.06 TWO PLACE DECIMALS ±.03 THREE PLACE DECIMALS ±.010 FRACTIONS ± 1/16 ANGLES ± 0°-30' BREAK EDGES .005-.015	DRAWN	CCG	05/01/06
	CHECKED		
MATERIAL	PROJ. ENG.	GP	5/2/06
	NOTICE: THIS DRAWING AND THE INFORMATION PROVIDED ARE PROPERTY OF RAVEN INDUSTRIES INC., AND MAY ONLY BE USED AS AUTHORIZED BY RAVEN INDUSTRIES INC. ALL RIGHTS RESERVED UNDER THE COPYRIGHT LAWS.		
FINISH	RELEASE FOR PRODUCTION		
	NUMBER	APPROVED	DATE
DO NOT SCALE DRAWING	E10561	GP	5/2/06

			INDUSTRIES, INC. SIOUX FALLS, SOUTH DAKOTA		
PRODUCT SPECIFICATION GPS L1 DOWN CONVERTER RAVEN (063-0172-681)			CODE IDENT. NO.	SIZE	DRAWING NUMBER
DO NOT SCALE DRAWING			14979	A	003-0159-191
SCALE			1/2	SHEET 1 OF 1	

			INDUSTRIES, INC. SIOUX FALLS, SOUTH DAKOTA		
TITLE			PRODUCT SPECIFICATION GPS L1 DOWN CONVERTER RAVEN (063-0172-681)		
CODE IDENT. NO.	SIZE	DRAWING NUMBER			
14979	A	003-0159-191			
SCALE			1/2	SHEET 1 OF 1	