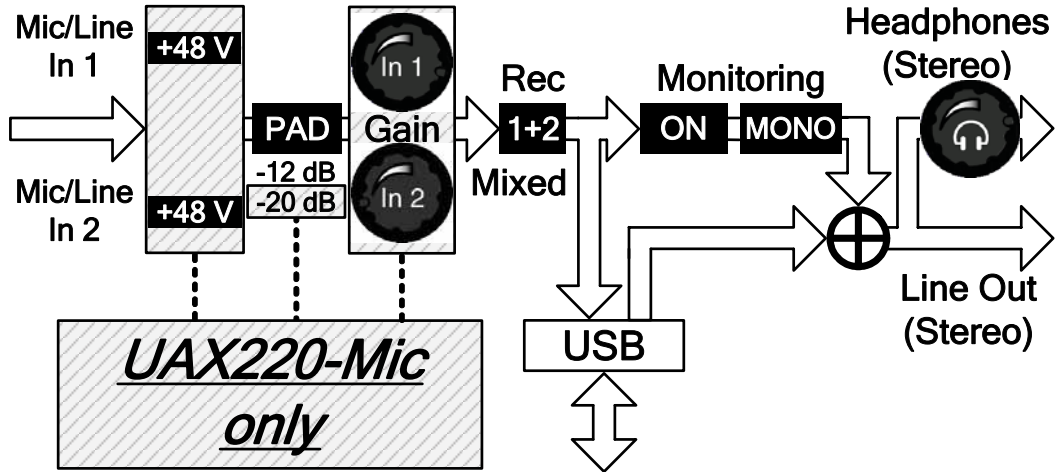


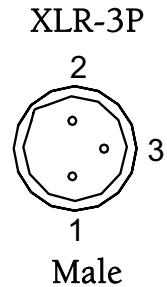
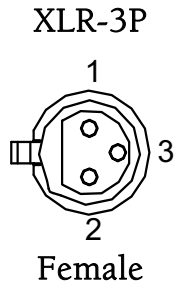
APPENDICES

Schematic diagram UAX220v2 & UAX220-Mic



XLR-3 connector pinout

Pin #	Signal
1	Ground
2	Positive signal ('hot pin')
3	Negative signal ('cold pin')



Headphone connector

Contact	Signal
Sleeve	Ground
Tip	Left channel
Ring	Right channel