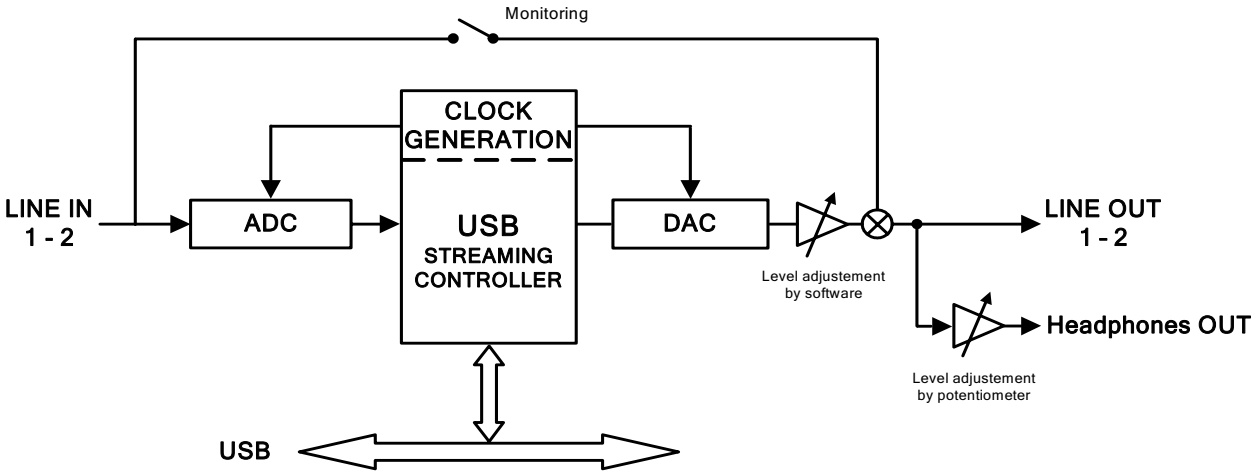


## APPENDICES

### Schematic diagram

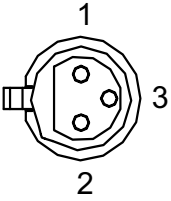


### Connector allocation

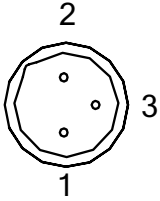
#### XLR-3

Pin #	Signal
1	Ground
2	Positive signal ('hot pin')
3	Negative signal ('cold pin')

XLR-3P Female



XLR-3P Male



### Headphone connector:

Contact	Signal
Sleeve	Ground
Tip	Left channel
Ring	Right channel