

For Assys:  
HUB16, HUB8  
Rev: 11/04

# StudioHub+ Model HUB16 and HUB8

Engineered for StudioHub+ and High-Speed Ethernet Connectivity

Model HUB16 pictured  
Also available as 1/2 hub 8 channel - model Hub8

Product Key	
Name	HUB16 / HUB8
Mount	Hub (3 r.u.)
Channels	16 / 8
CAT-5 Pairs	4 (all)
Power Link	yes
Connectors	2 RJ-45 & 110
Versions	Full Hub/Half Hub/Board Only

### General

Each of 16 (or 8 if ordered in the 1/2 Hub model) Hub channels consists of an RJ-45 input connector in parallel with an output RJ-45 connector and a 110-style punch connector. Each channel carries a stereo balanced audio pair, or balanced digital audio signal, and an optional +/- 15 DC voltage. Equipment cabling may also be 'punched down' to the inline 110 connector.

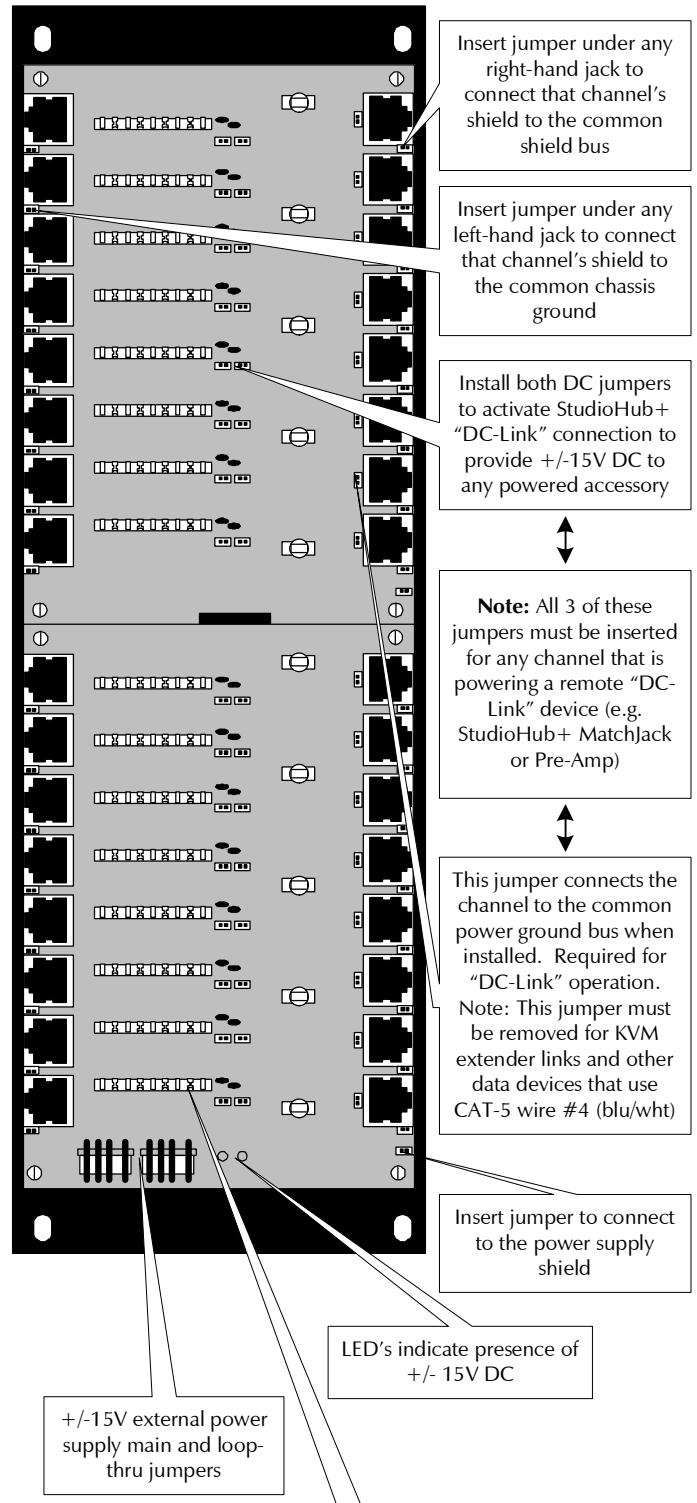
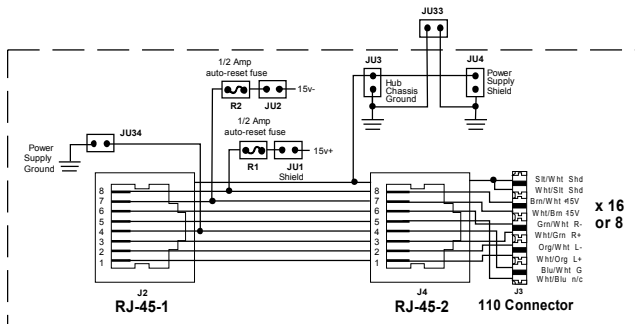
### DC Power

If using any StudioHub+ "DC-Link" accessories, plug a StudioHub +/- 15 volt power supply into the power supply connector. Both Hub LED's will illuminate. Insert both power jumpers and the DC ground jumper on only the circuits that utilize a powered accessory (e.g. MatchJack, mic preamp, etc.).

### Grounding Information

Cable and connector shields are contiguous from each individual hub channel (input to output) but are normally isolated from other channels.

To use the hub as a common ground point, insert the jumper below each left-hand RJ-45 that you want common to the chassis ground. If you have a StudioHub+ 15V power supply connected to the hub, and JU-33 is jumpered, chassis ground, electrical ground, and shield are common.



+/-15V external power supply main and loop-thru jumpers

10 pin 110-style connector provides access to all 4 CAT-5 pairs and cable shield