

For Assy:  
**MINITIE12-4**  
**MINITIE24-4**  
 Rev: 11/04

# StudioHub+ Model MINITIE12-4 & MINITIE24-4

Engineered for Inter-Studio Tie Lines

### General

Mini Tie Hubs provide multi-pair inter-studio connectivity by splaying out CAT-5 25 pair cable to individual RJ-45 connectors via a 50 pin RJ-21 mass connector. Mini Hubs are designed to mount and fit where the capacity of full-size hubs is not needed. Depending on the model selected, either 2 or 4 CAT-5 pairs are connected to each RJ-45 connector. Double the density is achieved if only 2 pairs (4 wires) are required to connect to each RJ-45. Generally, 2 pair is sufficient to support StudioHub analog and digital audio circuits. All 4 pairs (8 wires) are needed to support KVM and other special multi-wire equipment circuits.

### Mounting

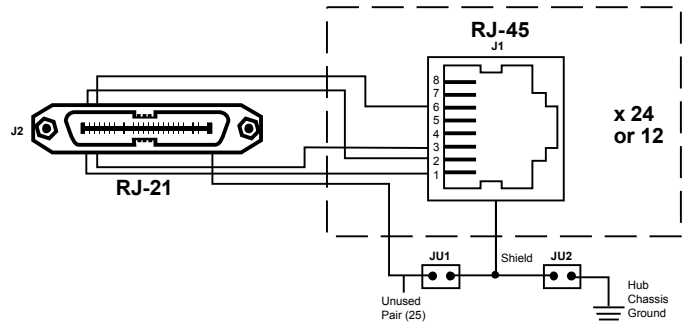
Mini tie-line hubs are available in single units on small wall-mountable plates, or in double density on 1 r.u. rack mounts

### Grounding Information.

RJ-45 connector shields are common on the mini tie hubs.

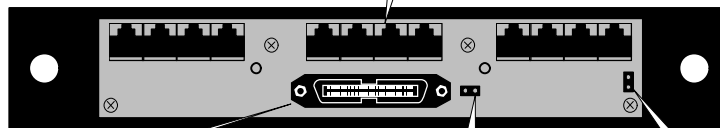
Two jumpers are provided that allow the unused CAT-5 25<sup>th</sup> pair to be connected to this common shield, as well as to the hub chassis.

Product Key	
<b>Name</b>	MINITIE12-4 / MINITIE24-4
<b>Mount</b>	Wall Mount / Rack Mount (1 r.u.)
<b>Channels</b>	24 / 12
<b>CAT-5 Pairs</b>	2 (pins - 1,2,3,6)
<b>Power Link</b>	no
<b>Connectors</b>	RJ-21, RJ-45
<b>Versions</b>	Plate, Rack



Each RJ-45 provides 4 wires of connectivity via the CAT-5 25-pair cable

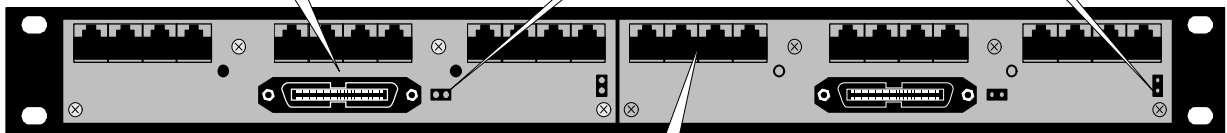
### Model - MINITIE12-4



RJ-21 connects 25-pair CAT-5 cable carrying six 4-pair circuits. One 25-pair CAT-5 cable is required for 12 circuit model. Two 25-pair CAT-5 cables are required for 24 circuit model.

Insert jumper to tie power supply shield to hub chassis ground

Insert jumper to tie power supply shield to hub chassis ground



### Model - MINITIE24-4

Each RJ-45 provides 4 wires of connectivity via the CAT-5 25-pair cable