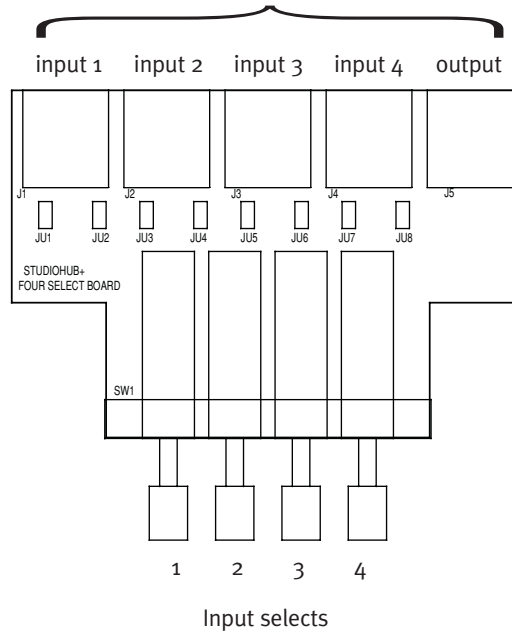


Stereo StudioHub+ RJ45



Jumpers JU1-JU8 tie +15volt and -15volt from input RJ45(s) to the output RJ45 J5

- JU1** -15volts input 1
- JU2** +15volts input 1
- JU3** -15volts input 2
- JU4** +15volts input 2
- JU5** -15volts input 3
- JU6** +15volts input 3
- JU7** -15volts input 4
- JU8** +15volts input 4