

For Assy:
TIE24-4-DC
TIE12-4-DC
Rev: 11/04

StudioHub+ Model Tie-24-4-DC & Model Tie-12-4-DC

Engineered for Inter-Studio Tie Lines

Model TIE24-4-DC shown
also available as 1/2 hub 12 channel - model TIE12-4-DC

Product Key	
Name	TIE24-4Powered
Mount	Full Hub/Half Hub
Channels	24/12
CAT-5 Pairs	2 (pins - 1,2,3,6)
Power Link	yes
Connectors	RJ-21/ 2 RJ-45
Versions	Full Hub/Half Hub/Board Only

General

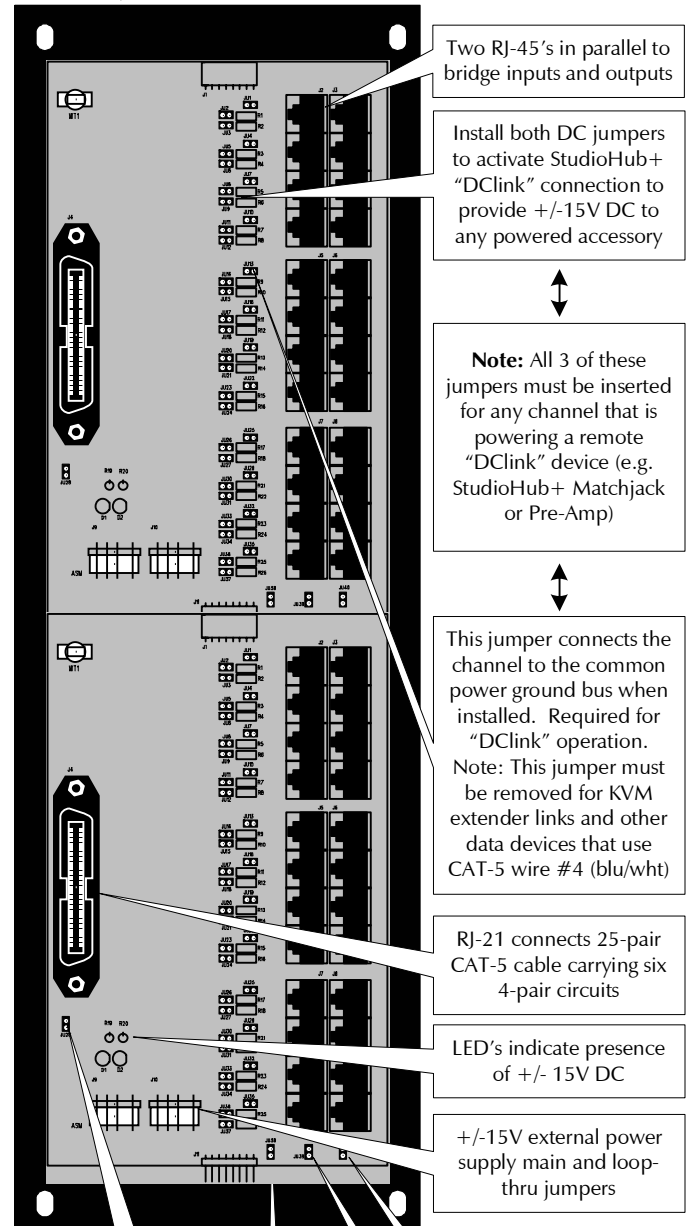
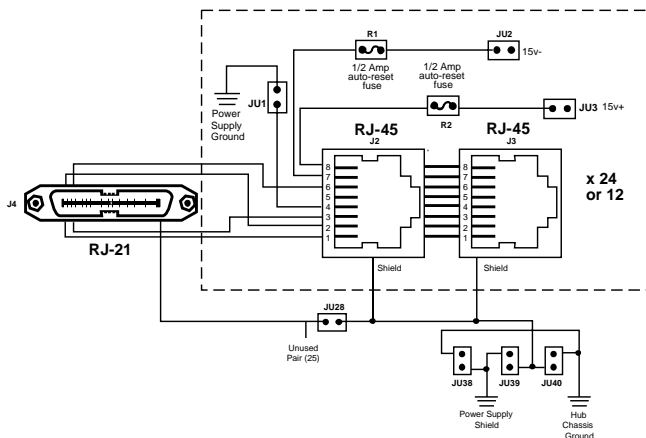
Tie Hubs provide multi-pair inter-studio connectivity by splicing out CAT-5 25 pair cable to individual RJ-45 connectors via a 50 pin RJ-21 mass connector. Depending on the model selected, either 2 or 4 CAT-5 pairs are connected to each RJ-45 connector. Double the density is achieved if only 2 pairs (4 wires) are required to connect to each RJ-45. Generally, 2 pair is sufficient to support StudioHub analog and digital audio circuits. All 4 pairs (8 wires) are needed to support KVM and other special multi-wire equipment circuits.

DC Power

"DC" Tie-Line hub models allow StudioHub "DC-Link" +/- 15 volt power to be added on the far-side of the link to power local StudioHub powered peripherals (such as headphone amps and Matchjacks). An external StudioHub DC power supply must be utilized. Jumpers and re-settable fuses for each RJ-45 allow the DC power to be added. The power option is only available on 2-pair per RJ-45 Hub models.

Grounding Information

RJ-45 connector shields may be optionally connected to the chassis ground by inserting a jumper. A jumper is also provided to allow the unused CAT-5 25th pair to be connected to this common shield bus. In addition, on powered models, the power supply shield may be jumper connected to the RJ-45 shields.



Insert jumper to tie power supply shield to hub chassis ground

Insert jumper to connect the common shield bus to power supply ground

Insert jumper to tie power supply shield to hub chassis ground