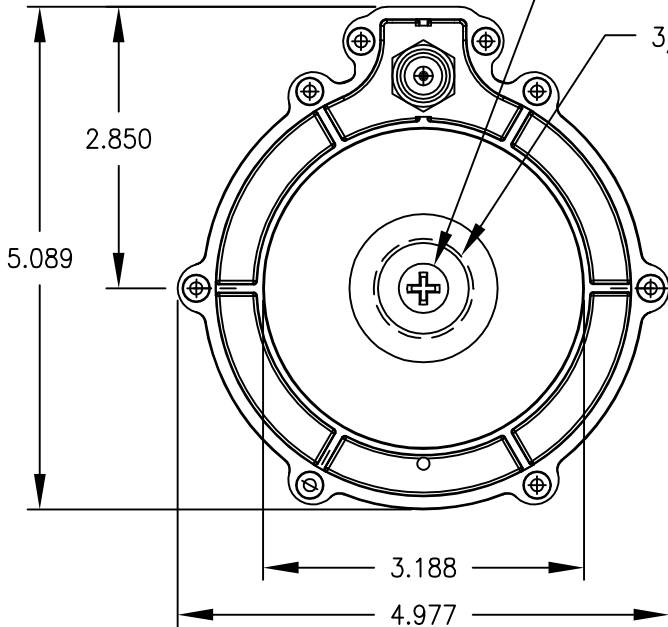


SCREW, PAN HEAD
SEMS, 10-32 x 3/4", S.S.

3/4" FEMALE PIPE THREAD



SPECIFICATIONS:

FREQUENCY: GPS L1-1575.42 MHz \pm 2 MHz BW MIN.
 AXIAL RATE: 3 dB
 NOISE FIGURE: <4 dB
 OVERALL GAIN WITH UP CONVERTER: 35-45 dB
 OUTPUT SIGNAL LEVEL: 0.5-1.0 V PEAK TO PEAK AT
 IF FREQUENCY.
 CABLE DISTANCE: 15.24 m TO 457.2 m
 (50 ft. TO 1500 ft.)
 COAX CABLE TYPE: 50 Ω

ENCLOSURE: ABS PLASTIC W/ UV STABILIZER
 WEIGHT: < .45kg (1 LB.)
 RELATIVE HUMIDITY: 0-100% CONDENSING.
 STORAGE TEMP: -50 C TO 85 C
 OPERATING TEMP: -40 C TO 65 C

CONNECTIONS:
 OUTPUT: TNC FEMALE

MOUNTING: 3/4" NPT FEMALE (1-14 UNS-2B AVAILABLE)
 U.S. PATENT NO. 5,999,795

TO BE USED IN DUC KIT 515522.

ROHS

PROPRIETARY INFORMATION

NOTICE: THIS DOCUMENT AND ANY INFORMATION DISCLOSED HEREIN WAS ORIGINATED BY AND IS THE PROPERTY OF RAVEN INDUSTRIES, INC., ELECTRONIC SYSTEMS DIVISION. THIS INFORMATION, IN WHOLE OR EXTRACTS, MAY NOT BE PUBLISHED, REPRODUCED, DISCLOSED OR OTHERWISE DISSEMINATED WITHOUT THE EXPRESS AUTHORIZATION OF RAVEN INDUSTRIES, INC.



ELECTRONIC
SYSTEMS
DIVISION

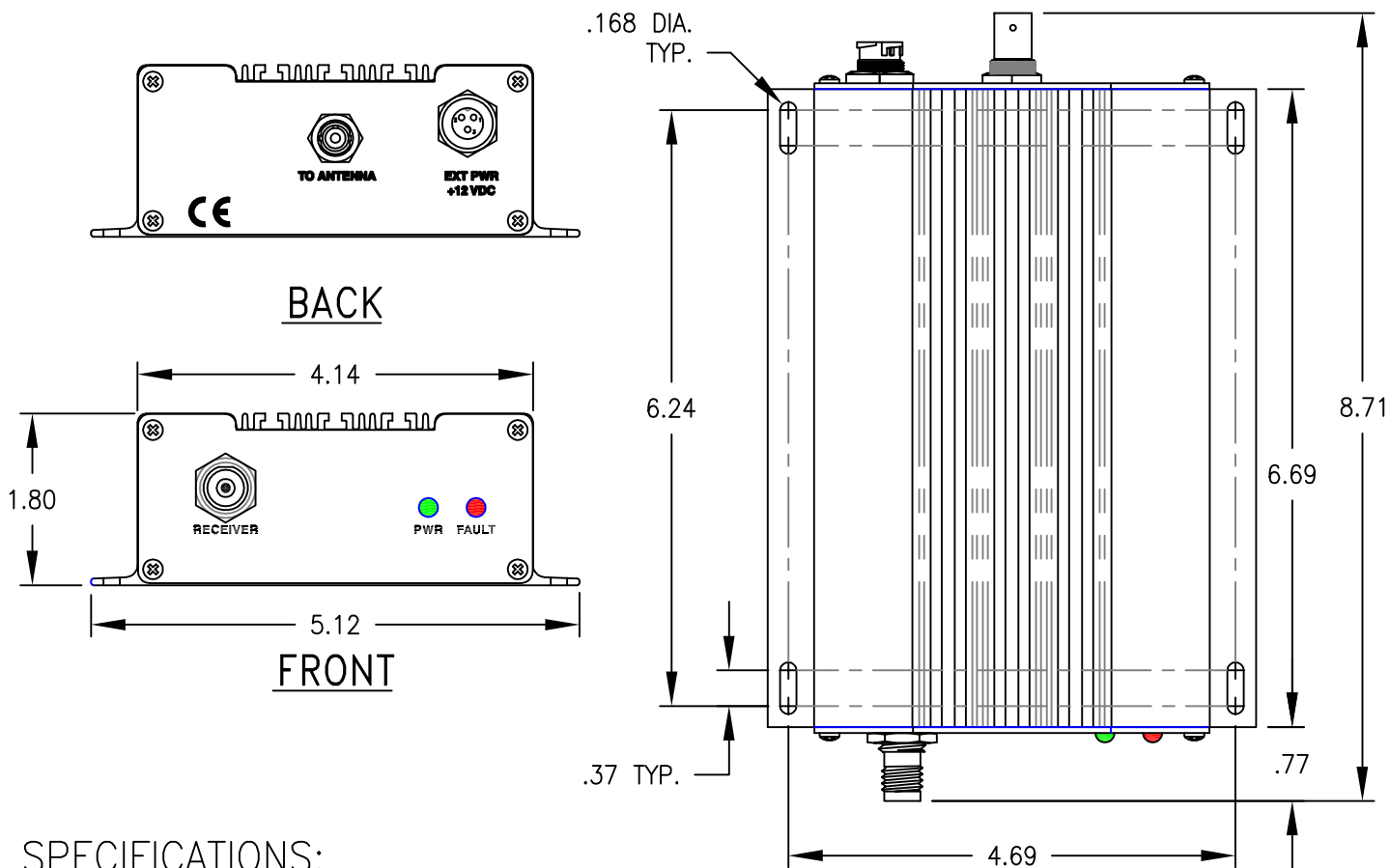
DUC, COAX
DOWN CONVERTER

DWG NO.
514732

RELEASED
12/14/10

DRAWN BY
JJG

1 OF 1



SPECIFICATIONS:

ENCLOSURE: EXTRUDED ALUMINUM
 COLOR: BLACK (POWDER COATED)
 WEIGHT: <.6 kg (1.3 lbs.)
 TEMPERATURE; STORAGE: -50° C TO +85° C
 TEMPERATURE; OPERATING: 0° C TO +50° C
 RELATIVE HUMIDITY: 0-95% NON-CONDENSING

GPS FREQUENCY: L1
 INPUT/OUTPUT IMPEDANCE: 50Ω
 CABLE DISTANCE: 457.2 m max. (1500 ft. max.)
 COAX CABLE TYPE: 50Ω

INPUT CONNECTIONS:

BNC FEMALE: TO DOWN CONVERTER ANTENNA.
 3 PIN 12VDC ±10% @ 150mA TYPICAL (EXTERNAL POWER)
 OR 5-12VDC @ 150mA TYPICAL VIA RECEIVER COAX.
 (DURING FAULT 310mA)

OUTPUT CONNECTIONS:

TNC FEMALE: TO GPS RECEIVER, CABLE DISTANCE 30m max.(100 ft. max)

TO BE USED IN DUC KIT 515522 (INCLUDES POWER SUPPLY).

ACCESSORIES	
P/N	DESCRIPTION
516819	POWER SUPPLY
516817	POWER CABLE



PROPRIETARY INFORMATION
 NOTICE: THIS DOCUMENT AND ANY INFORMATION DISCLOSED HEREIN WAS ORIGINATED BY AND IS THE PROPERTY OF RAVEN INDUSTRIES, INC., ELECTRONIC SYSTEMS DIVISION. THIS INFORMATION, IN WHOLE OR EXTRACTS, MAY NOT BE PUBLISHED, REPRODUCED, DISCLOSED OR OTHERWISE DISSEMINATED WITHOUT THE EXPRESS AUTHORIZATION OF RAVEN INDUSTRIES, INC.



ELECTRONIC SYSTEMS DIVISION

DUC, COAX UP CONVERTER		DWG NO. 514733
RELEASED 12/14/10	DRAWN BY JJG	1 OF 1