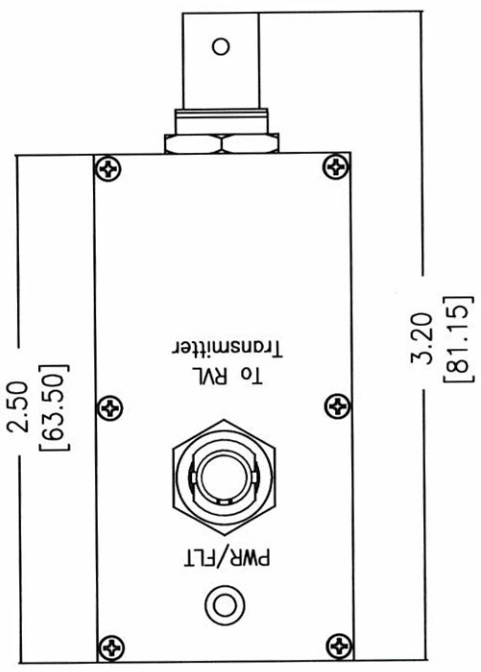
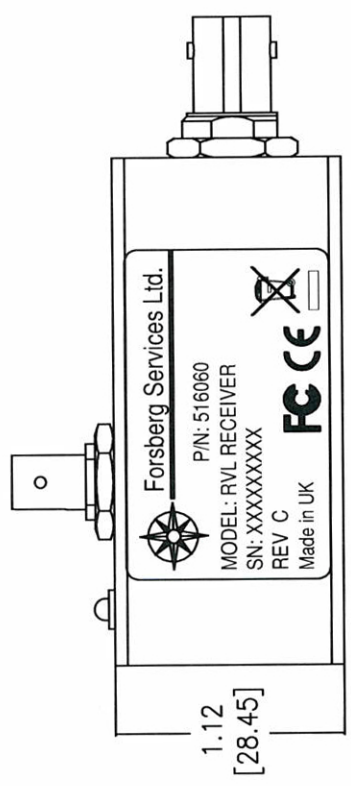
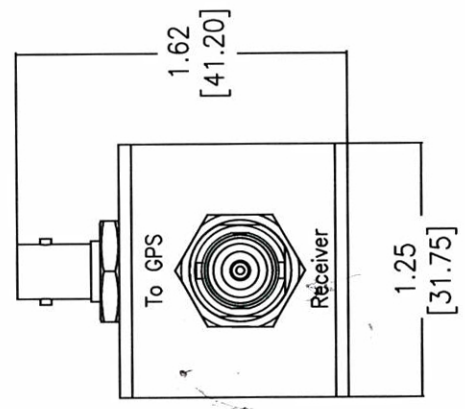


1 2 3 4 5 6



SPECIFICATIONS:

ENCLOSURE: EXTRUDED ALUMINUM  
 COLOUR: NATURAL  
 WEIGHT: <0.92kg (0.21 lbs)  
 TEMPERATURE STORAGE: -40° C TO +85° C  
 TEMPERATURE OPERATING: 0° C TO +50° C  
 RELATIVE HUMIDITY: 0-95% NON-CONDENSING  
 ALTITUDE: 6.096m (20,000 ft)  
 FREQUENCY: 800MHz TO 1800MHz

INPUTS:  
 ST TYPE FIBER OPTIC CONNECTOR FOR SIMPLEX MULTIMODE  
 50/125 MICRON CABLE

OUTPUTS:  
 BNC 50 OHM FEMALE  
 ANTENNA FAULT REPORTING LED:  
 GREEN - GOOD  
 RED - FAULT

TO BE USED IN RVL KIT 516061

Part Descriptor: <b>RVL RECEIVER</b>		Part No: <b>516060</b>	Issue: <b>C</b>	HW Version: <b>-</b>
Author: <i>KS</i>	Checked: <i>RT</i>	Approved: <i>SM</i>	Date: <b>06/05/15</b>	Material: <b>VARIOUS</b>
Forsberg Services Ltd. Richmond House White Cross Lancaster LA1 4XF U.K.				
Weight: <b>&lt;0.92</b>		Scale: <b>NTS</b>	Unless Otherwise Specified: Dimensions are in Inches Surface Finish: N/A Linear Tolerance: N/A Angular Tolerance: N/A Debur and break sharp edges	
Drawing No: <b>A500-08-201</b>		Drawing Version: <b>V1.00</b>		A4 Sheet: <b>1 of 1</b>

1 2 3 4 5 6